

## **Metering Installations for Mobile Homes or Mobile Home Parks:**

### **Overhead Installations**

The metering pole **must be a minimum of 17 ft, Class 5 pole set at least 4 ft deep so that it will be of sufficient height and stability** to provide service drop clearances as **shown on page 31.**

All meter sockets shall be mounted in a manner that allows meters to be inserted and withdrawn without causing movement of the socket.

The mobile home feeder assembly shall terminate at the mobile home service equipment located adjacent to the mobile home. The feeder assembly shall not terminate in the meter socket.

### **Underground Installations**

Mobile homes served by underground distribution must provide meter pedestals for the connection of service laterals and watt-hour meters.

A separate pedestal shall serve each mobile home as illustrated on page 39.

Meter pedestals must be approved by the Metering Services Department before being installed. The Company does not assume ownership of meter pedestals and is not responsible for maintenance.

Grounding should be in compliance with the National Electrical Code and applicable state or local codes.

## **Meter Sockets and Service Equipment Mounted on Manufactured Homes:**

The 1993 National Electrical Code (NEC) has been modified to bring the NEC requirements for service to manufactured homes in line with the Department of Housing and Urban Development (HUD) manufactured home construction requirements. The NEC and HUD now both permit the service equipment and the meter socket to be mounted on the manufactured home under certain conditions. Refer to the following Sections of the NEC for these conditions.

Definitions	Refer to NEC Section 550-2
Exceptions	Refer to NEC Section 550-5a Exception No. 2 Refer to NEC Section 550-23a Exception No. 2

HUD has interpreted the requirement for installation of the service equipment by the manufacturer as shown in NEC 550-23 to include field installation under the supervision of the manufacturer. In areas where there is an electrical inspector, Mississippi Power will serve manufactured homes with the service equipment and meter socket mounted on the home, provided the inspector approves the installation, and the meter socket meets the MPC requirements for customer-furnished meter sockets. In areas where there is not an electrical inspector, the following conditions must be met in order to serve a manufactured home with the service equipment and meter socket mounted on the home

- The NEC and HUD requirements must be met.
- The meter socket must comply with MPC requirements for customer-furnished meter sockets. Questions concerning approval of customer-furnished meter socket should be referred to MPC Metering Services Department.
- The foundation to which the home is attached must be constructed in such a manner that it is obvious that the home is not intended to be moved.
- If the service equipment and meter socket were not installed at the factory, the customer or manufactured home dealer must provide written documentation that the field installation was made under factory supervision.
- The Company must emphasize that these guidelines do not circumvent the NEC or HUD requirements.

# TYPICAL OVERHEAD SERVICE TO MOBILE HOME

## A. GENERAL NOTES:

- Pole length determined by service drop clearance requirements.  
Clearance Requirements → 12.5 ft. - sidewalk only (restricted traffic)  
16.5 ft. - residential driveway only  
16.5 ft. - public driveways, alleys, and roads, construction areas

Pole specifications: 15" minimum circumference pressure treated creosote, CCA, or Penta 6" x 6" square treated timber minimum. **Shortest acceptable pole is 18 feet, set 4 feet deep.**

- Conductors, conduit, conduit straps, lock nuts, bushings, connectors, and miscellaneous mounting hardware furnished and installed by customer.
- Meter socket, meter socket hub and service drop attachment device furnished by Company and installed by customer.
- Grounding electrode conductor shall be #4 AWG copper or greater.
- Minimum 8' grounding electrode required (copper clad, aluminum clad, or steel).
- Service across a state or federal highway requires state highway permits from the Department of Transportation.
- Not permissible for feeder from service pole to distribution to be in free air. Feeder must be 4 conductor in conduit or direct burial.

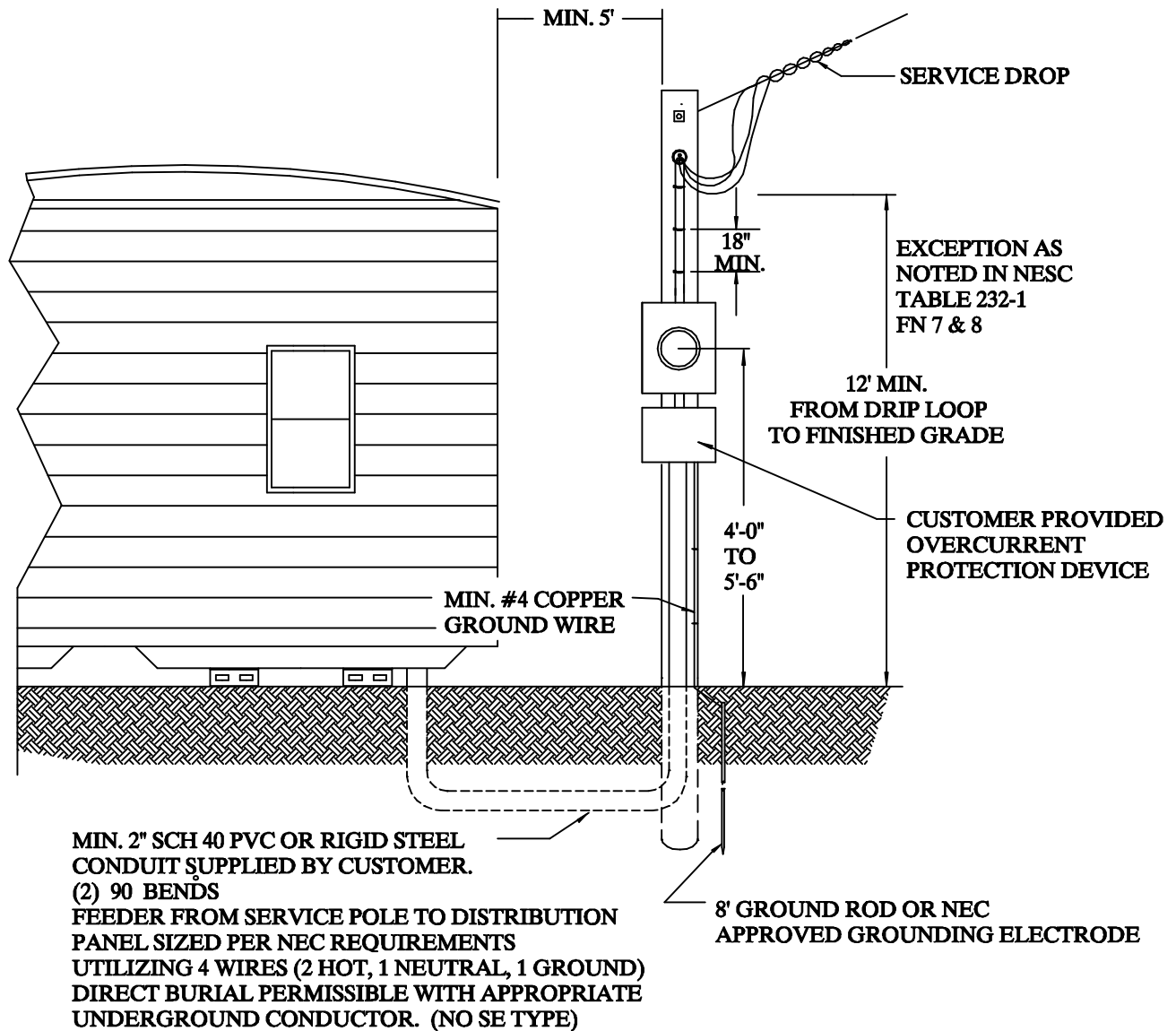
## B. MOUNTING:

- Meter sockets, cabinets, trough and conduits shall be surface mounted.
- All screws and bolts shall be minimum #12 x 1-1/2" corrosion resistant. Nailing to pole is not permissible.
- Conduit ends shall be equipped with a proper bushing to protect conductors.

## C. CONNECTIONS:

Customer shall apply a non-grit type corrosion inhibitor to connections and terminate them by torquing to manufacturer's specifications located in the enclosure. **Do not over-torque!**

- All service drop connections shall be made by Company.
- Disconnection of service and removal of service drop shall be made by Company **only**.



**Mississippi Power**

*the southern electric system*



DISTRIBUTION SPECIFICATIONS

©

SUBJECT OVERHEAD SERVICE TO MOBILE HOME

DETAIL \_\_\_\_\_

Date 10/13/95

Plate 35

File MS0048A

# TYPICAL OVERHEAD INSTALLATION FOR MANUFACTURED HOME

## A. GENERAL NOTES:

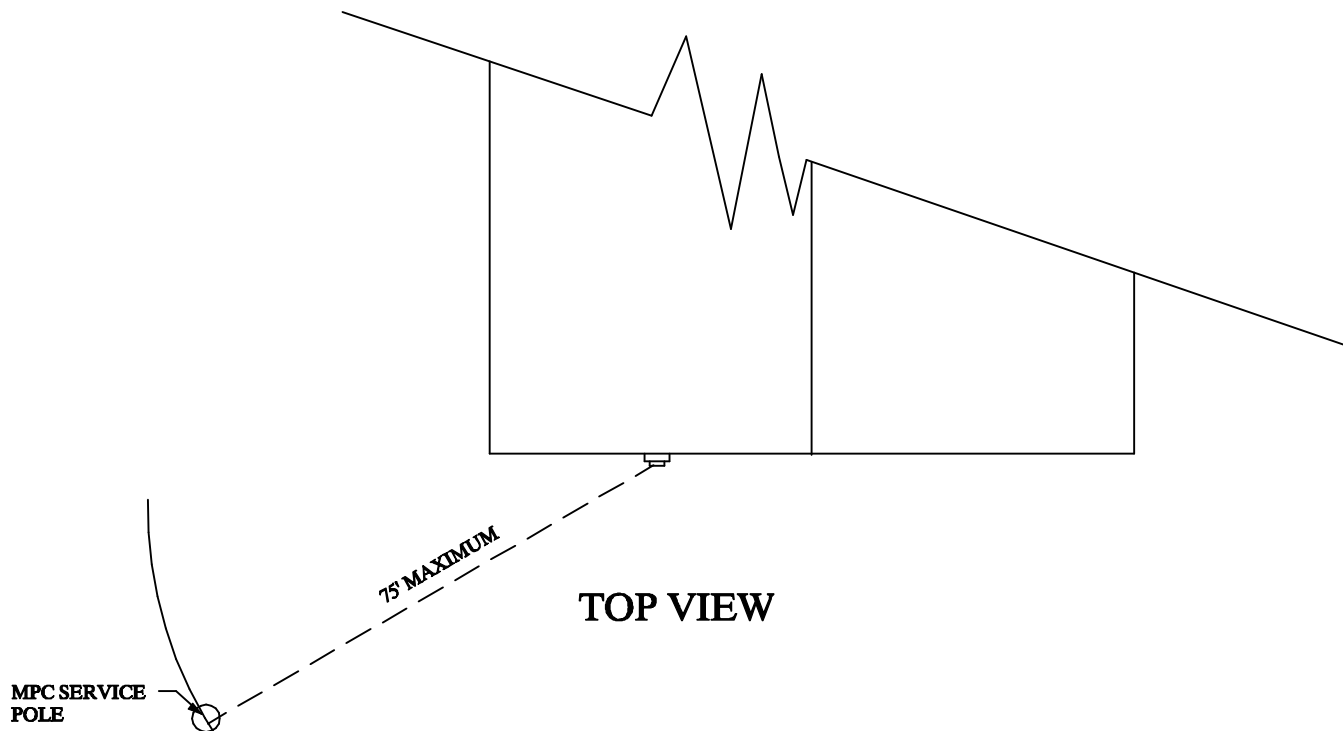
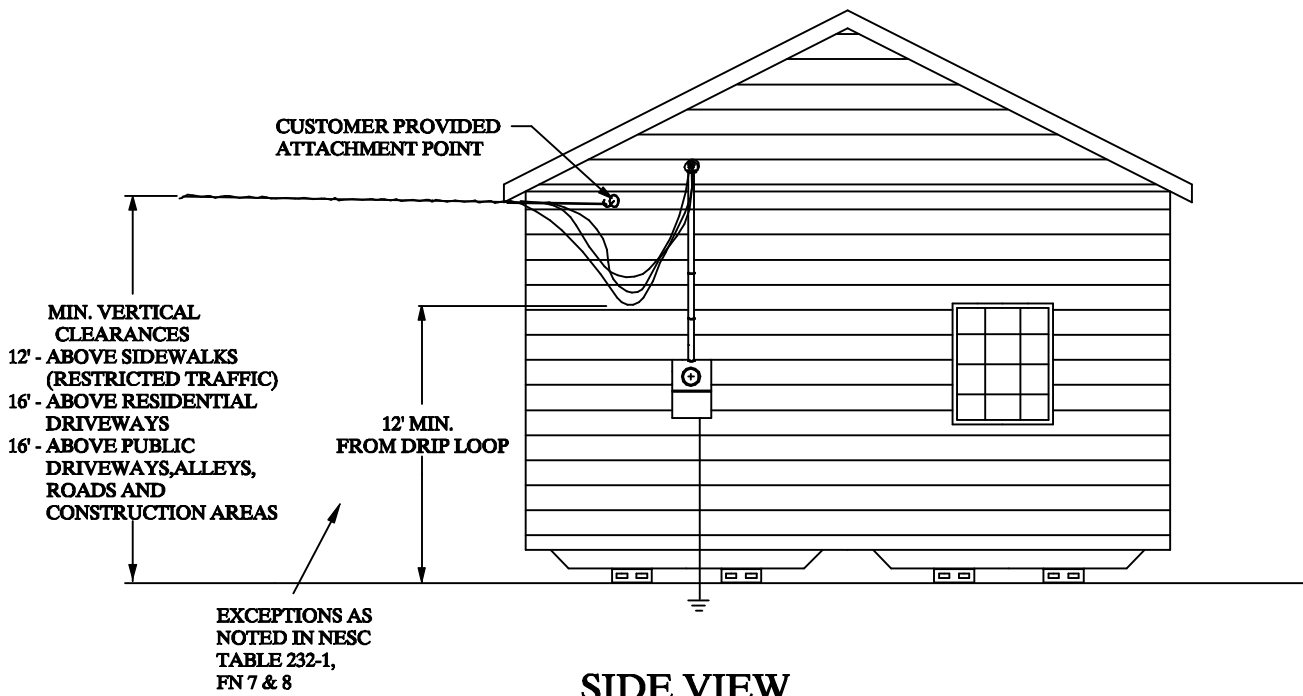
- Service entrance line and load conductors, conduit straps, weatherhead, lock nuts, bushings, connectors, and miscellaneous mounting hardware furnished and installed by customer.
- A conduit entrance is preferred, but type SE entrance cable sized per NEC requirements is permissible as allowed by local inspection authority.
- Meter socket, meter socket hub and service drop attachment device furnished by Company and installed by customer.
- Service drop attachment shall be installed at minimum vertical clearance as illustrated. If minimum vertical clearance can not be maintained with the installation of an attachment bolt as shown, the customer shall install a steel service mast or service pole.
- Connections between service drop and service entrance conductors shall be made below weatherhead forming a drip loop.
- Meter and service drop furnished and installed by Company.
- Meter socket shall be readily accessible and allow workspace.
- Placement of meter socket in alley ways or areas where meter is subject to damage shall require advance approval of a qualified employee.

## B. MOUNTING:

- Meter socket and conduit shall be surface mounted without brick or other exterior veneers encasing the equipment.
- Meter socket and conduit straps shall be fastened to building using lead anchors (brick or solid masonry), toggle bolts (other masonry siding) or wood screws (studs, solid lumber). All screws and bolts shall be minimum #12 corrosion resistant. A minimum of four (4) fasteners shall be used to mount socket.
- Suitable service drop attachment point shall be screw-type knob inserted into solid wood or eye bolt (min 3/8") inserted through framing member to be furnished and installed by customer

## C. CONNECTIONS:

Customer shall apply a non-grit type corrosion inhibitor to connections and terminate them by torquing to manufacturer's specifications located in the enclosure. **Do not over-torque!**



**NOTE:**  
 IN ORDER TO QUALIFY FOR THIS TYPE INSTALLATION, ALL OF THE REQUIREMENTS ON PAGE 23 MUST BE MET



DISTRIBUTION SPECIFICATIONS ©

SUBJECT OVERHEAD SERVICE TO MANUFACTURED HOME  
 DETAIL \_\_\_\_\_

Date 10/13/95

Plate 37

File MS0048

# TYPICAL INSTALLATION FOR MOBILE HOME PARKS

---

## A. GENERAL NOTES:

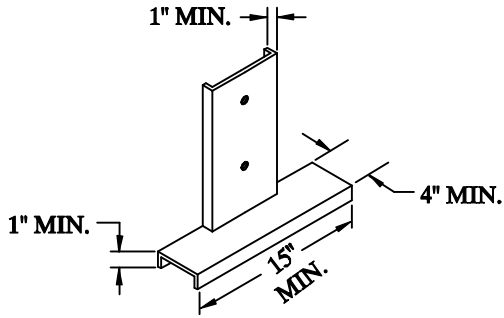
- Customer must provide meter pedestals for the connection of service laterals and watt-hour meters.
- Meter pedestals must be approved by MPC Metering Services prior to installation.
- Meter pedestals to be installed in a manner where they will not be subject to vehicular traffic with locations approved prior to installation by a qualified employee.
- Meter pedestal will remain the property of the customer with MPC having no responsibility for maintenance or upkeep of the pedestal.

## B. MOUNTING:

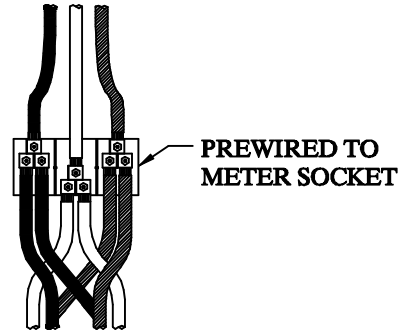
- Customer to install meter pedestals after installation of service laterals by MPC.
- Care shall be exercised during installation to prevent damage to service lateral conductors.

## C. CONNECTIONS:

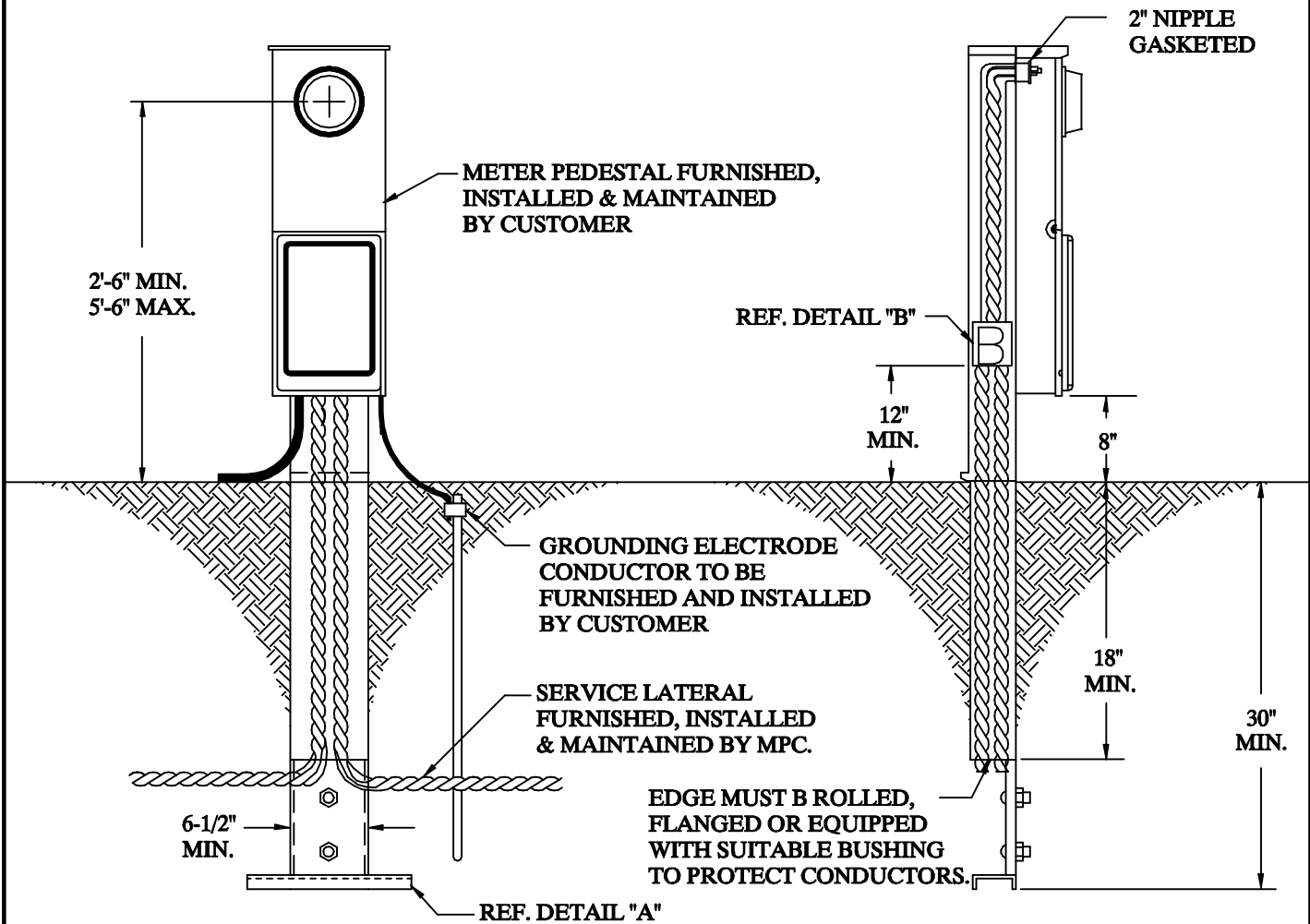
MPC to terminate all service lateral connections in customer provided pedestal, torqued to manufacturer's specifications. **Do not over-torque!**



**DETAIL "A"**  
PEDESTAL  
STABILIZER FOOT



**DETAIL "B"**  
CONNECTIONS



**FRONT VIEW**

**SIDE VIEW**